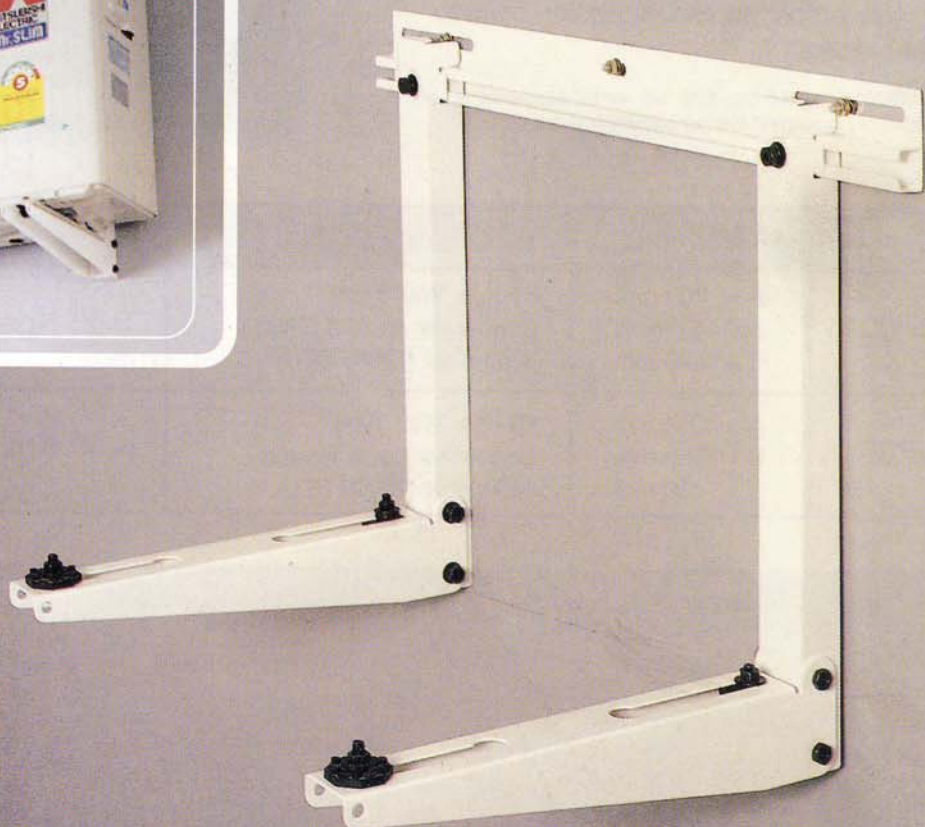


ESCO CONDENSER BRACKET

The latest innovation
in wall type support
for condensing units.



- Pre-assembled for easier installation
- Special anti-vibration rubber pads for low noise
- Epoxy powder coated for neat appearance

ESCO CONDENSER BRACKET

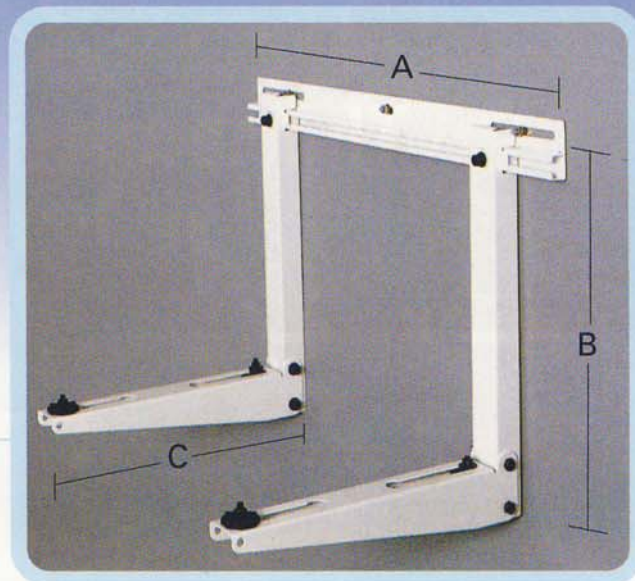
The latest innovation in wall type support for condensing units.

Made of pressed electro-galvanized metal sheet, with extra corrosion proof epoxy powder coating. This enables the bracket to be an all weather resistant product. Vibration is kept at minimum by use of rubber pads included in the set. Easy to install with slide adjustment mechanism for any model of residential air-condensing unit.

2 models with loading capacities of max. 60 kgs. & 80 kgs.

Caution: Use proper screws/expansion bolts to install the bracket.

AEROFLEX INTERNATIONAL CO., LTD. will not be responsible for any damage to product / property if it is not properly installed



Model	Size	Max Loading Capacity	Weight	Carton Size
EJP60	A = 700 mm. B = 450 mm. C = 380 mm.	60 Kgs. Wall Type Condenser up to 3.6 Kw, 3200 Kcal (12000 BTU)	3.50 Kgs.	14cm x 8cm x 78 cm
EJP80	A = 1050 mm. B = 590 mm. C = 490 mm.	80 Kgs. Wall Type Condenser up to 5.5 Kw, 4800 Kcal (18000 BTU)	4.50 Kgs.	14cm x 8cm x 109 cm



AEROFLEX INTERNATIONAL CO., LTD. HEAD OFFICE & FACTORY RAYONG THAILAND



AEROFLEX INTERNATIONAL CO., LTD.

770 MU 6, TEPARAK RD., TEPARAK, SAMUTPRAKARN 10270, THAILAND.

TEL :+(662) 383 6599 FAX :+(662) 383 6531, 759 5550

E-mail: marketing@aeroflex.co.th <http://www.aeroflex.co.th>

Sole Agent :